

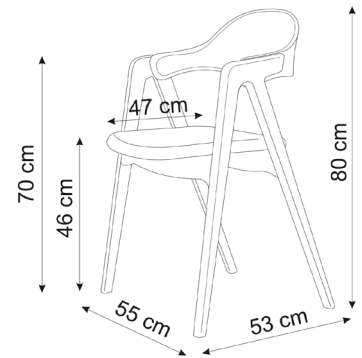


### Titan chair

No 8080

Solid wood chair with upholstered seat and backrest. Tested and approved for public use.  
1 pcs. per box.  
Seat high: 46 cm

L 53 W 55 H 80 cm.

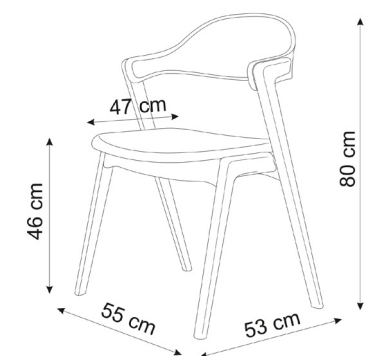


### Tonus chair

No 8082

Solid wood chair with upholstered seat and backrest. Tested and approved for public use.  
Tonus chair is stackable.  
2 pcs. per box.  
Seat high: 46 cm

L 53 W 55 H 80 cm.



# TITAN AND TONUS CHAIRS

Titan and Tonus armrest chair, designed by René Hougaard - Arde Design, new modern and still classic chairs. Both chairs are beautiful, classic and comfortable solid wood chairs, with upholstered seat and backrest. They are tested and approved for public use, and one of them -Tonus- chair is stackable. You can get the chairs in 5 different wood colours, and the seat



## COLOURS AND MATERIALS

### CHAIR - BASE COLORS

<b>SOLID</b>	 43 Light oak lac	 45 Oak natural oil	 49 Smoked oak mat lac	 87 Black oak lac	 75 Walnut oil
<b>LEATHER</b>	 90 Sand	 91 Cognac	 92 Choco	 93 Black	
<b>FABRIC DEVIDE</b>	 20 Bordeaux	 22 Dusty Green	 24 Dusty Charcoal	 26 Dusty Grey	 27 Light Grey
	 28 Dusty Blue	 29 High Blue			
<b>FABRIC CURA</b>	 80 Light Grey	 81 Brown	 82 Charcoal	 83 Mustard	 84 Dark Green
	 85 Petrol	 86 Dark Blue			