

FELINO

Purchase price list 04/2021

valid from 01.04.2021

with prices in €, gross purchase price system



GWINNER[®]

Table of contents

Finishes	Page	4
Product information and ordering information	Page	5-7
Combinations	Page	8-17
Planning system for individual models	Page	18-24
Recommended coffee tables, dining tables, chairs and benches	Page	25
Accessories (lighting, shelves, etc.)	Page	26-27

Customer services:

Sales:

You can call us:

Mon to Fri 8 a.m. – 5 p.m. Tel. +49 (0)7445 183 0

Planning information:

You can call us:

Mon to Fri 8 a.m. – 5 p.m. Tel. +49 (0)7445 183 370
Fax +49 (0)7445 183 399

Website:

www.gwinner.de

Price group 1

Front and carcase

White, taupe or fango matt silk lacquer

Panels

White, taupe or fango matt silk lacquer

Concrete or rust-effect look

Nero marble effect

Price group 2

Front and carcase

White, taupe or fango matt silk lacquer

Panels

Honey oak timber or natural knotty walnut

Planning information for display-unit rear panels in a contrast finish:

If display-unit rear panels are required in a different finish to the carcase, e.g. a different lacquer finish, concrete or rust-effect look, or veneer, they must be ordered and charged separately.

The colour and wood finishes have been specifically created for Gwinner products and can therefore not be found in any standard. The colour samples provide an approximate reproduction and serve only as a guide.

Product information

Felino has been awarded the DGM mark of quality by the German Furniture Quality Association

Country of manufacture: Germany



Materials used:

The fronts are made from 19-mm-thick MDF panels in all lacquer finishes. Sides, shelves, panels and rear panels are made from chipboard. Visible surfaces are lacquered. Veneered or lacquered panels are 33-mm thick, and rear panels are 5-mm thick.

The drawers are mounted on soft-close, cushioned partial-extension Quadro runners, and have been tested 40,000 times.

Doors and glass doors are mounted on nickel-plated, three-way adjusting, fast-assembly metal cup hinges, which have been tested 40,000 times. It is guaranteed that functionally compatible replacement parts will be available for all wear parts for at least five years.

Display-unit doors and panel shelves are made from parasol grey float glass, glass shelves are made from clear float glass.

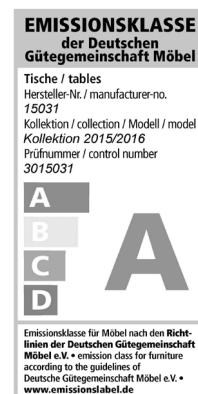
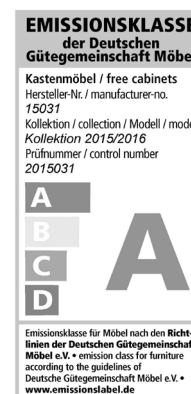
Load-bearing capacity:



Base-elements drawers have a load-bearing capacity of 15 kg; all other drawers have a load-bearing capacity of 10 kg when loaded evenly. Wooden shelves have a load-bearing capacity of 15 kg; glass shelves have a load-bearing capacity of 10 kg; additional information relating to load-bearing capacity can be found on the relevant elements.

Home hygiene:

Felino meets the requirements for a healthy home environment, it has been tested for harmful substances in accordance with the RAL-GZ 430/1-1 standard from the RAL Deutsches Institut für Gütesicherung und Kennzeichnung (RAL German Institute for Quality Assurance and Certification).



Care instructions:

Wipe with a dry duster or a slightly damp cloth. The lacquers used are highly resistant to abrasion in accordance with DIN 68861.

Electrics:

All lighting elements and connection cables are VDE-tested.

Energy usage:

The LED lights used correspond to the energy classes **A++** to **A** on a scale of **A++** (most efficient) to **E** (least efficient). The bulbs in the LED lights cannot be replaced.

Subject to errors, as well as design, colour and material modifications as part of technical progress.

Product information

Quality features:

All visible carcass parts are lacquered on the outside and inside.

The drawers are mounted on soft-close, partial-extension Quadro runners. Soft-close full-extension runners are available at a surcharge.

The all-metal clip-on hinges are adjustable in three directions. All doors are soft-closing as standard.

Veneer features:

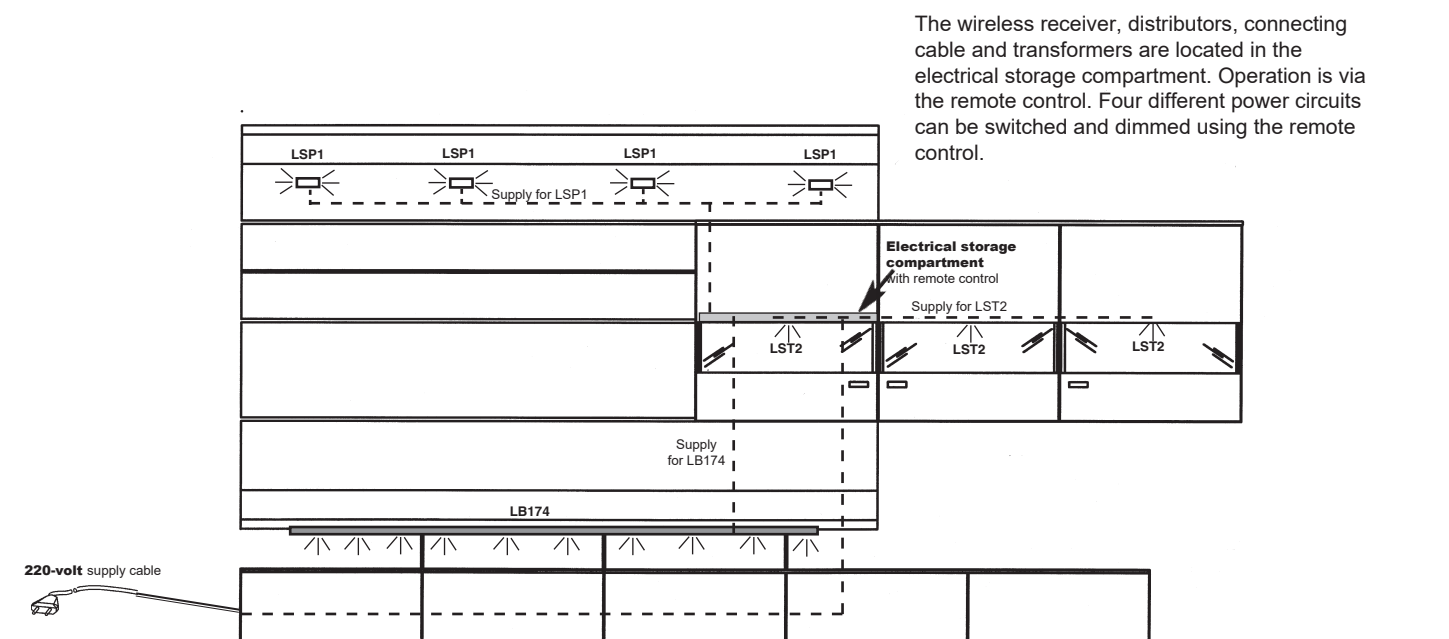
Please note that every piece of precious veneer is unique and can vary widely from one veneer trunk to another by its very nature. Despite our veneer specialists taking the greatest care, variations from brochure illustrations and unit samples cannot be ruled out.

For oak timber and knotty walnut, veneers with cracks and knots are purposely chosen and filled to be darker. Only this time-consuming process gives the panels and display-unit rear panels their desired natural character. We would like to expressly state that these growth and processing characteristics are desired features on the Felino and they increase the value by being unique, and cannot therefore be seen as a quality defect.

Electrical installation:

The following drawing offers a schematic view of the electrical installation positions and routing. The illustrations of the wiring, lighting and electrical storage compartment are only symbolic and are not to scale. Except for the cable duct, the wiring shown is on the rear of the elements.

A white, paintable cable duct is supplied to optimise the cable routing between the base element and wall units or angled shelf. The cable duct can be glued or screwed to the wall. Depending on the cable cross-section, one to three cables can be laid in the duct.



Planning and ordering information

Felino can be configured in any way using the planning programme



Only the current type list applies for price, dimensions and design information.

Have you included everything in your plan?

The following information is required for the Felino:

- **The lacquer colour for front and carcass**
- **The finish for the panels and display-unit rear panels**
- **Positioning sequence or sketch for freely designed configurations**
- **Accessories and lighting, if required**

- **Send orders via e-mail to: auftrag@gwinner.de**

! When including lighting, we recommend using the electrical storage compartment with radio remote control. As a result, all transformers, connectors and distributors are neatly stored away but are still easily accessible; all lighting can be operated using the remote control.

Please note that the delivery time may be extended if an order is unclear or incomplete. Please ensure you provide all details when placing your order to enable us to process your order quickly and correctly.

Options for varying wall combinations

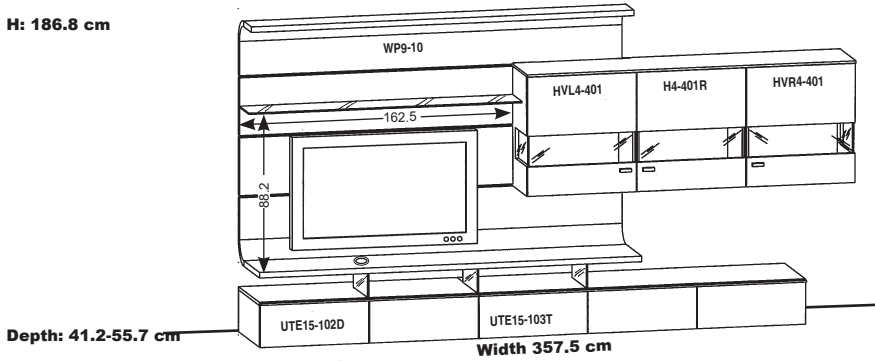
- Wall combinations can be extended by incorporating additional elements. The order in which elements are positioned can be changed or reversed at no extra cost.
- For a **single** modification charge of € ,-, any number of parts from a wall combination can be exchanged with parts from the type list.
- If the price of the new type/types is higher, the difference in element price must be added to the modification charge. Lower prices will not be refunded.

When ordering, please specify the order number of the wall combination on which your order is based. This number enables us to process the requested modifications.

Wall combinations with low base elements (1.5 increments) Prices excluding lighting and accessories

Dimensions in cm directly beside the corresponding picture.

H: 186.8 cm



Order no. FE1 (as shown) FE1-SV (mirror-image)
 PG 1 €
 PG 2 €

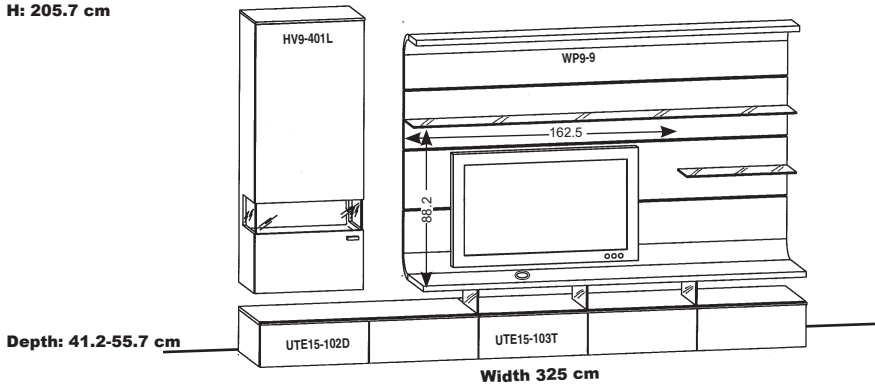
Recommended accessories: each €

Lighting	
3 LED spotlights for display units	LST2
1 LED light for TV niche	LB174
4 LED lights for panels	LSP1
1 transformer, 30 watt	LEVG30
El. storage comp. with remote control	LES65F

General accessories	
5 full-extension runners for base el.	VZ500
1-5 organisers for base element	OET65
3 display-unit rear panels in contrast finish	RW2-65

For article descriptions and information about energy classes, see Accessories on p. 26-27

H: 205.7 cm



Order no. FE2 (as shown) FE2-SV (mirror-image)
 PG 1 €
 PG 2 €

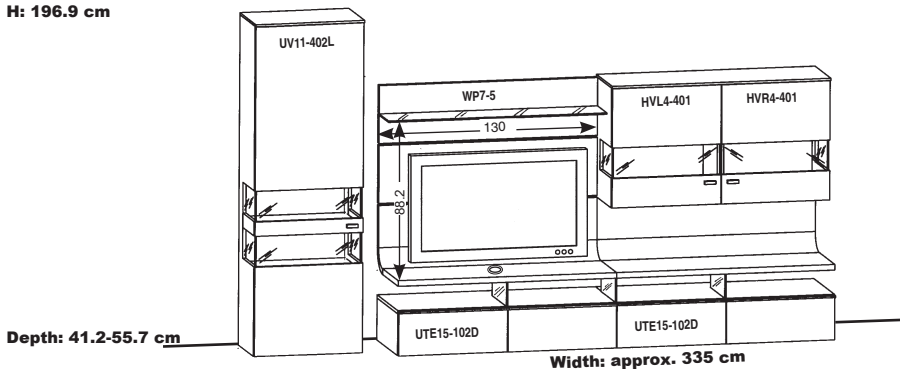
Recommended accessories: each €

Lighting	
1 LED spotlight for display unit	LST2
1 LED light for TV niche	LB174
4 LED lights for panels	LSP1
1 transformer, 15 watt	LEVG15
El. storage comp. with remote control	LES65F

General accessories	
5 full-extension runners for base el.	VZ500
1-5 organisers for base element	OET65
1 display-unit rear panel in contrast finish	RW2-65

For article descriptions and information about energy classes, see Accessories on p. 26-27

H: 196.9 cm



Order no. FE3 (as shown) FE3-SV (mirror-image)
 PG 1 €
 PG 2 €

Recommended accessories: each €

Lighting	
4 LED spotlights for display units	LST2
2 LED lights for TV niche	LB114
1 transformer, 30 watt	LEVG30
El. storage comp. with remote control	LES65F

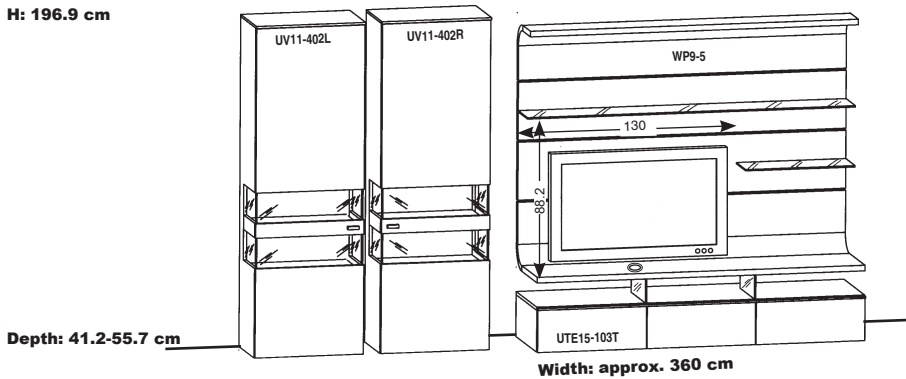
General accessories	
4 full-extension runners for base el.	VZ500
1-4 organisers for base element	OET65
2 display-unit rear panels in contrast finish	RW2-65
2 display-unit rear panels in contrast finish	RW15-65

For article descriptions and information about energy classes, see Accessories on p. 26-27

Wall combinations with low base elements (1.5 increments) Prices excluding lighting and accessories

Dimensions in cm directly beside the corresponding picture.

H: 196.9 cm



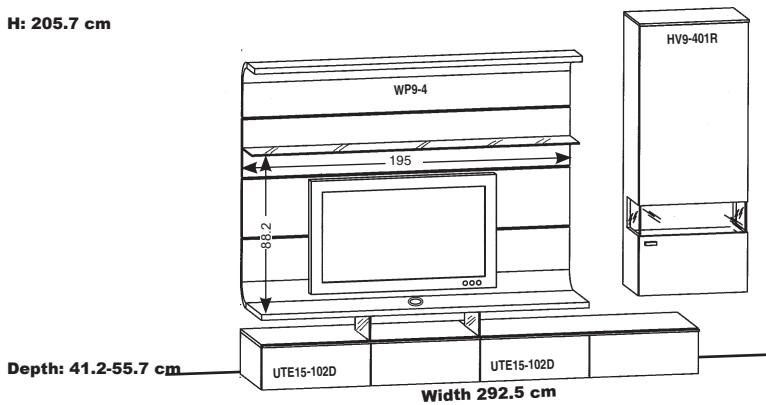
Order no. FE7 (as shown) FE7-SV (mirror-image)
 PG 1 €
 PG 2 €

Recommended accessories: each €

Lighting	
4 LED spotlights for display units	LST2
1 LED light for TV niche	LB174
3 LED lights for panels	LSP1
1 transformer, 30 watt	LEVG30
El. storage comp. with remote control	LES65F
General accessories	
3 full-extension runners for base el.	VZ500
1-3 organisers for base element	OET65
4 display-unit rear panels in contrast finish	RW15-65

For article descriptions and information about energy classes, see Accessories on p. 26-27

H: 205.7 cm



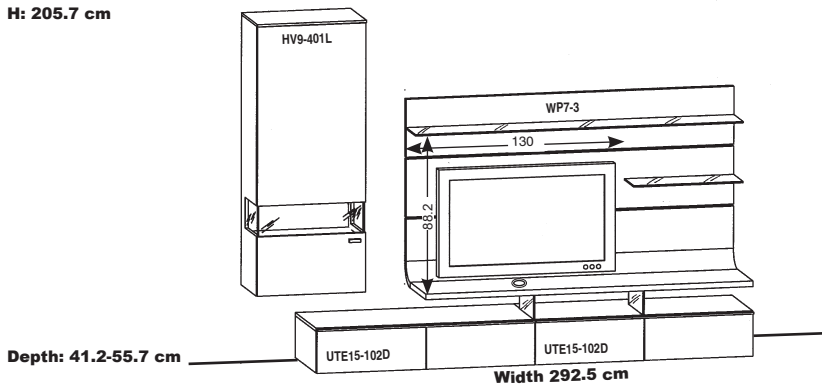
Order no. FE9 (as shown) FE9-SV (mirror-image)
 PG 1 €
 PG 2 €

Recommended accessories: each €

Lighting	
1 LED spotlight for display unit	LST2
1 LED light for TV niche	LB174
3 LED lights for panels	LSP1
1 transformer, 15 watt	LEVG15
El. storage comp. with remote control	LES65F
General accessories	
4 full-extension runners for base el.	VZ500
1-4 organisers for base element	OET65
1 display-unit rear panel in contrast finish	RW2-65

For article descriptions and information about energy classes, see Accessories on p. 26-27

H: 205.7 cm



Order no. FE10 (as shown) FE10-SV (mirror-image)
 PG 1 €
 PG 2 €

Recommended accessories: each €

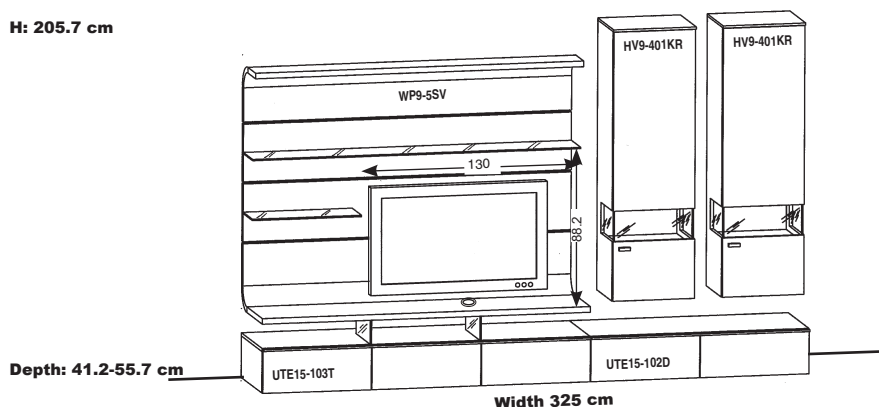
Lighting	
1 LED spotlight for display unit	LST2
1 LED light for TV niche	LB174
1 transformer, 15 watt	LEVG15
El. storage comp. with remote control	LES65F
General accessories	
4 full-extension runners for base el.	VZ500
1-4 organisers for base element	OET65
1 display-unit rear panel in contrast finish	RW2-65

For article descriptions and information about energy classes, see Accessories on p. 26-27

Wall combinations with low base elements (1.5 increments) Prices excluding lighting and accessories

Dimensions in cm directly beside the corresponding picture.

H: 205.7 cm



Order no.

FE13 (as shown)

FE13-SV (mirror-image)

PG 1 €

PG 2 €

Recommended accessories: each €

Lighting

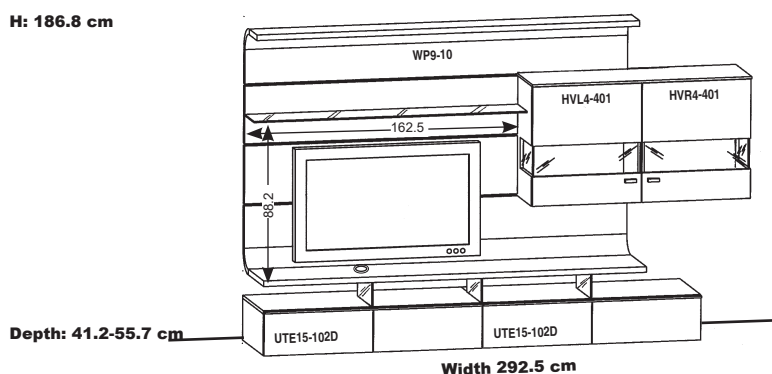
2 LED spotlights for display units	LST2
1 LED light for TV niche	LB174
3 LED lights for panels	LSP1
1 transformer, 30 watt	LEVG30
El. storage comp. with remote control	LES49F

General accessories

5 full-extension runners for base el.	VZ500
1-5 organisers for base element	OET65
2 display-unit rear panels in contrast finish	RW2-49

For article descriptions and information about energy classes, see Accessories on p. 26-27

H: 186.8 cm



Order no.

FE18 (as shown)

FE18-SV (mirror-image)

PG 1 €

PG 2 €

Recommended accessories: each €

Lighting

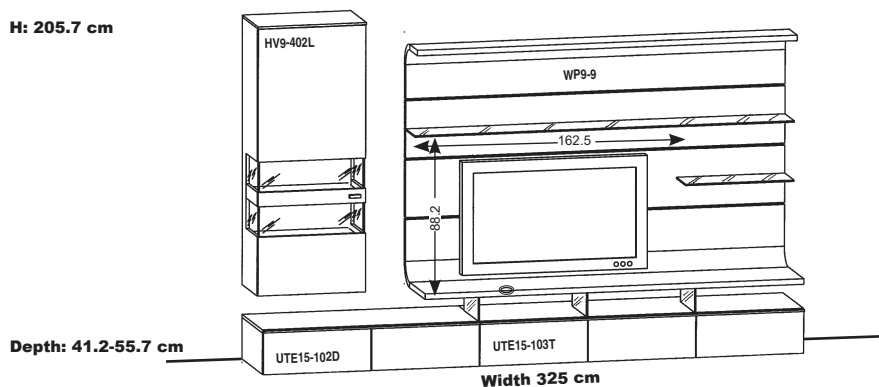
2 LED spotlights for display units	LST2
1 LED light for TV niche	LB174
4 LED lights for panels	LSP1
1 transformer, 15 watt	LEVG15
El. storage comp. with remote control	LES65F

General accessories

4 full-extension runners for base el.	VZ500
1-4 organisers for base element	OET65
2 display-unit rear panels in contrast finish	RW2-65

For article descriptions and information about energy classes, see Accessories on p. 26-27

H: 205.7 cm



Order no.

FE20 (as shown)

FE20-SV (mirror-image)

PG 1 €

PG 2 €

Recommended accessories: each €

Lighting

2 LED spotlights for display units	LST2
1 LED light for TV niche	LB174
4 LED lights for panels	LSP1
1 transformer, 15 watt	LEVG15
El. storage comp. with remote control	LES65F

General accessories

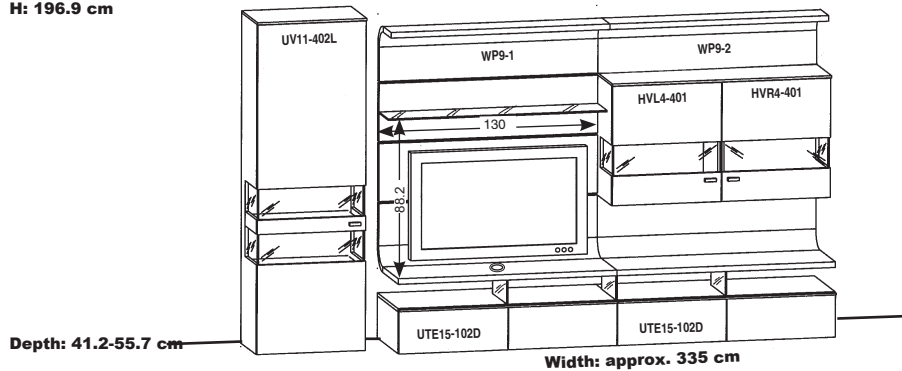
5 full-extension runners for base el.	VZ500
1-5 organisers for base element	OET65
2 display-unit rear panels in contrast finish	RW15-65

For article descriptions and information about energy classes, see Accessories on p. 26-27

Wall combinations with low base elements (1.5 increments) Prices excluding lighting and accessories

Dimensions in cm directly beside the corresponding picture.

H: 196.9 cm



Order no.

FE26 (as shown)

FE26-SV (mirror-image)

PG 1 €

PG 2 €

Recommended accessories: each €

Lighting

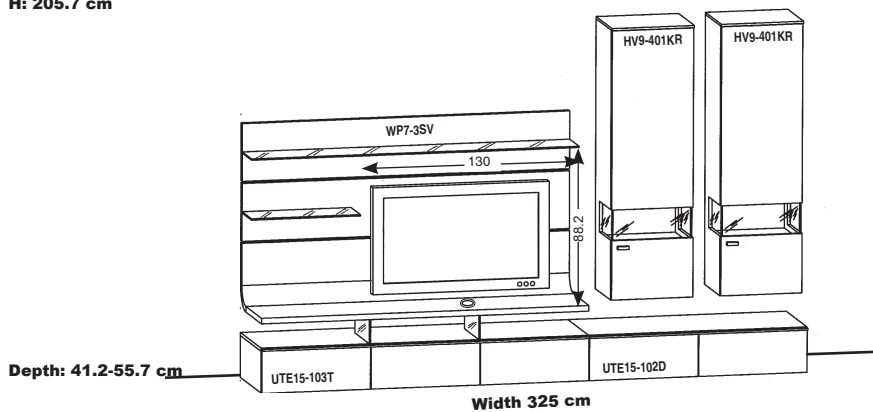
4 LED spotlights for display units	LST2
2 LED lights for TV niche	LB114
4 LED lights for panels	LSP1
1 transformer, 30 watt	LEVG30
El. storage comp. with remote control	LES65F

General accessories

4 full-extension runners for base el.	VZ500
1-4 organisers for base element	OET65
2 display-unit rear panels in contrast finish	RW2-65
2 display-unit rear panels in contrast finish	RW15-65

For article descriptions and information about energy classes, see Accessories on p. 26-27

H: 205.7 cm



Order no.

FE31 (as shown)

FE31-SV (mirror-image)

PG 1 €

PG 2 €

Recommended accessories: each €

Lighting

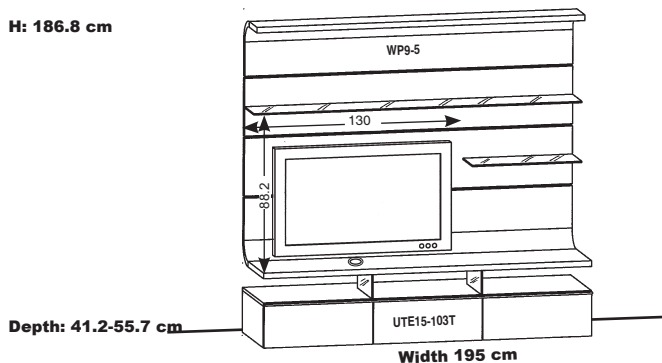
2 LED spotlights for display units	LST2
1 LED light for TV niche	LB174
1 transformer, 15 watt	LEVG15
El. storage comp. with remote control	LES49F

General accessories

5 full-extension runners for base el.	VZ500
1-5 organisers for base element	OET65
2 veneered display-unit rear panels	RW2-49

For article descriptions and information about energy classes, see Accessories on p. 26-27

H: 186.8 cm



Order no.

FE32 (as shown)

FE32-SV (mirror-image)

PG 1 €

PG 2 €

Recommended accessories: each €

Lighting

1 LED light for TV niche	LB174
3 LED lights for panels	LSP1
1 transformer, 15 watt	LEVG15
1 remote control	FKS4

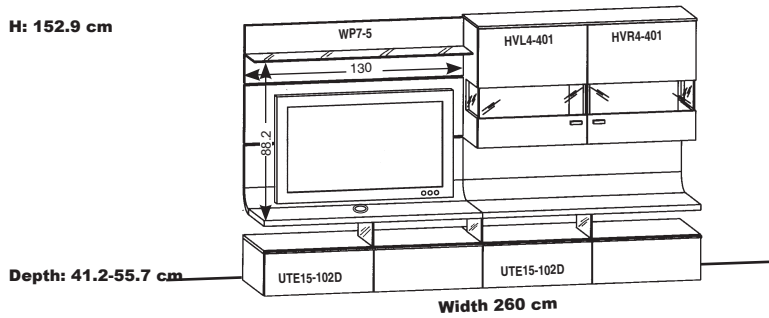
General accessories

3 full-extension runners for base el.	VZ500
1-3 organisers for base element	OET65

For article descriptions and information about energy classes, see Accessories on p. 26-27

Wall combinations with low base elements (1.5 increments) Prices excluding lighting and accessories

Dimensions in cm directly beside the corresponding picture.



Order no. FE35 (as shown) FE35-SV (mirror-image)
 PG 1 €
 PG 2 €

Recommended accessories: each €

Lighting

2 LED spotlights for display units	LST2
2 LED lights for TV niche	LB114
1 transformer, 15 watt	LEVG15
El. storage comp. with remote control	LES65F

General accessories

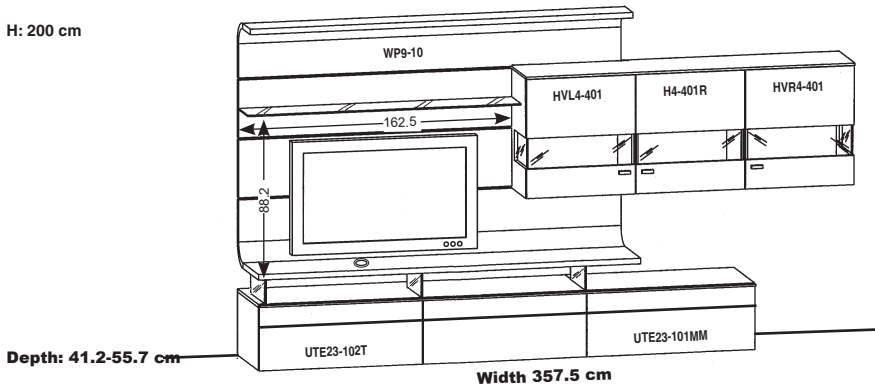
4 full-extension runners for base el.	VZ500
1-4 organisers for base element	OET65
2 display-unit rear panels in contrast finish	RW2-65

For article descriptions and information about energy classes, see Accessories on p. 26-27

Wall combinations with tall base elements (2.3 increments) Prices excluding lighting and accessories

Dimensions in cm directly beside the corresponding picture.

H: 200 cm



Order no. FE201 (as shown) FE201-SV (mirror-image)
 PG 1 €
 PG 2 €

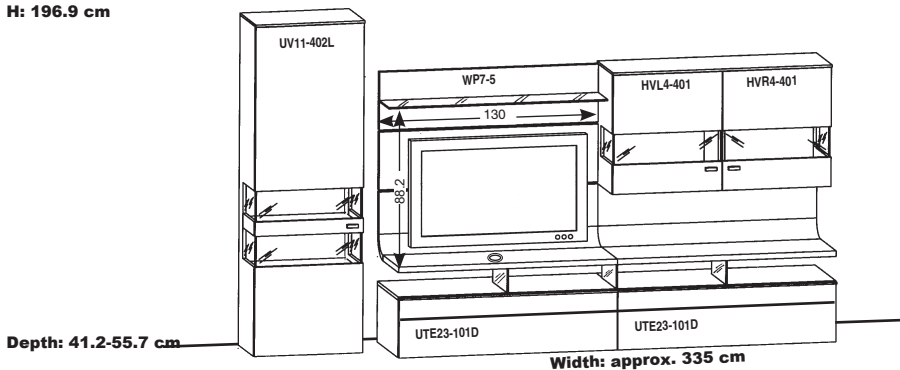
Recommended accessories: each €

Lighting	
3 LED spotlights for display units	LST2
1 LED light for TV niche	LB174
4 LED lights for panels	LSP1
1 transformer, 30 watt	LEVG30
El. storage comp. with remote control	LES65F

General accessories	
3 full-extension runners for base el.	VZ500
1-3 organisers for base element	ET2-98
3 display-unit rear panels in contrast finish	RW2-85

For article descriptions and information about energy classes, see Accessories on p. 26-27

H: 196.9 cm



Order no. FE203 (as shown) FE203-SV (mirror-image)
 PG 1 €
 PG 2 €

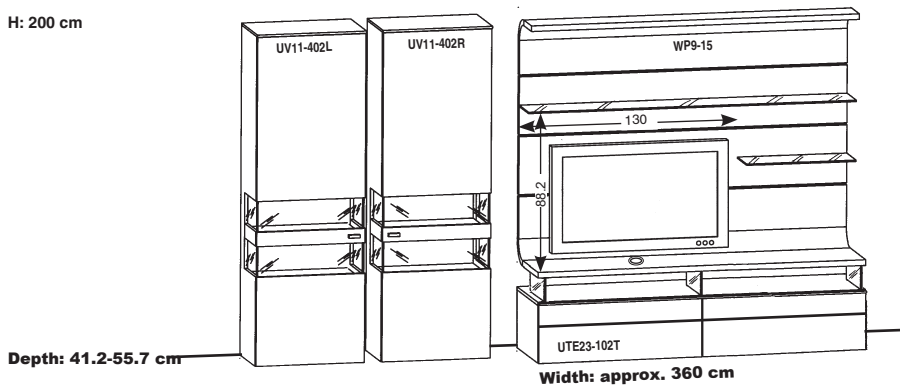
Recommended accessories: each €

Lighting	
4 LED spotlights for display units	LST2
2 LED lights for TV niche	LB114
1 transformer, 30 watt	LEVG30
El. storage comp. with remote control	LES65F

General accessories	
4 full-extension runners for base el.	VZ500
1-4 organisers for base element	ET2-65
2 display-unit rear panels in contrast finish	RW15-65
2 display-unit rear panels in contrast finish	RW2-65

For article descriptions and information about energy classes, see Accessories on p. 26-27

H: 200 cm



Order no. FE207 (as shown) FE207-SV (mirror-image)
 PG 1 €
 PG 2 €

Recommended accessories: each €

Lighting	
4 LED spotlights for display units	LST2
1 LED light for TV niche	LB174
3 LED lights for panels	LSP1
1 transformer, 30 watt	LEVG30
El. storage comp. with remote control	LES65F

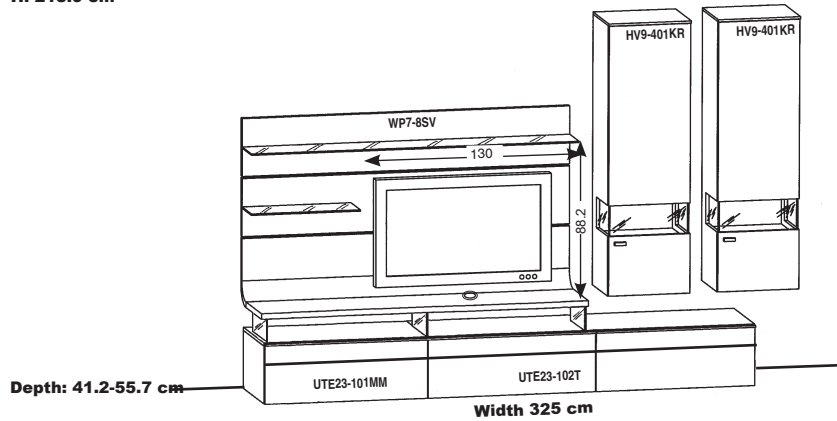
General accessories	
2 full-extension runners for base el.	VZ500
1-2 organisers for base element	ET2-98
4 display-unit rear panels in contrast finish	RW15-65

For article descriptions and information about energy classes, see Accessories on p. 26-27

Wall combinations with tall base elements (2.3 increments) Prices excluding lighting and accessories

Dimensions in cm directly beside the corresponding picture.

H: 218.9 cm



Order no. FE231 (as shown) FE231-SV (mirror-image)
 PG 1 €
 PG 2 €

Recommended accessories: each €

Lighting

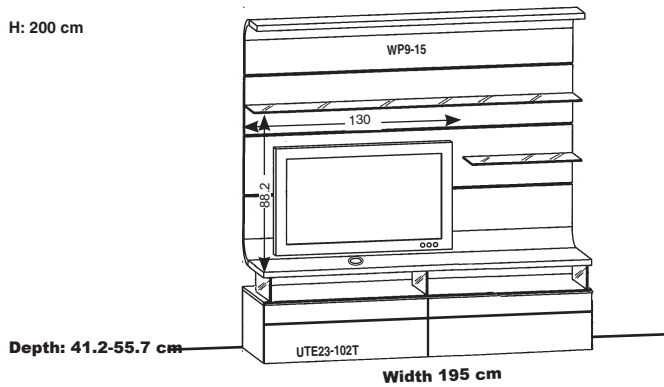
2 LED spotlights for display units	LST2
1 LED light for TV niche	LB174
1 transformer, 15 watt	LEVG15
El. storage comp. with remote control	LES49F

General accessories

3 full-extension runners for base el.	VZ500
1-3 organisers for base element	ET2-98
2 display-unit rear panels in contrast finish	RW2-49

For article descriptions and information about energy classes, see Accessories on p. 26-27

H: 200 cm



Order no. FE232 (as shown) FE232-SV (mirror-image)
 PG 1 €
 PG 2 €

Recommended accessories: each €

Lighting

1 LED light for TV niche	LB174
3 LED lights for panels	LSP1
1 transformer, 15 watt	LEVG15
1 remote control	FKS4

General accessories

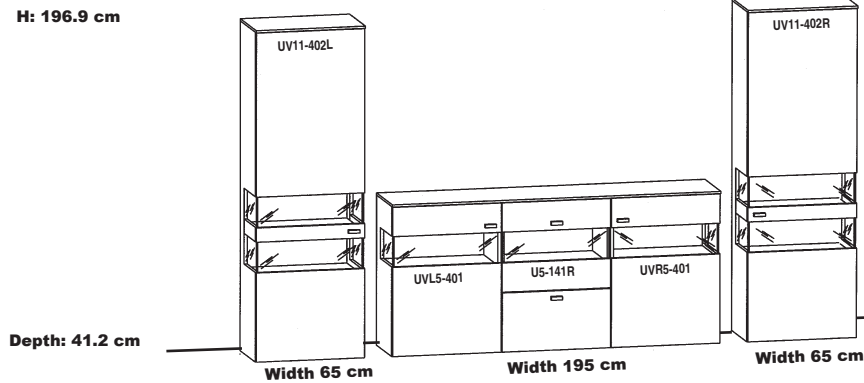
2 full-extension runners for base el.	VZ500
1-2 organisers for base element	ET2-98

For article descriptions and information about energy classes, see Accessories on p. 26-27

Combinations

Prices excluding lighting and accessories

Dimensions in cm directly beside the corresponding picture.

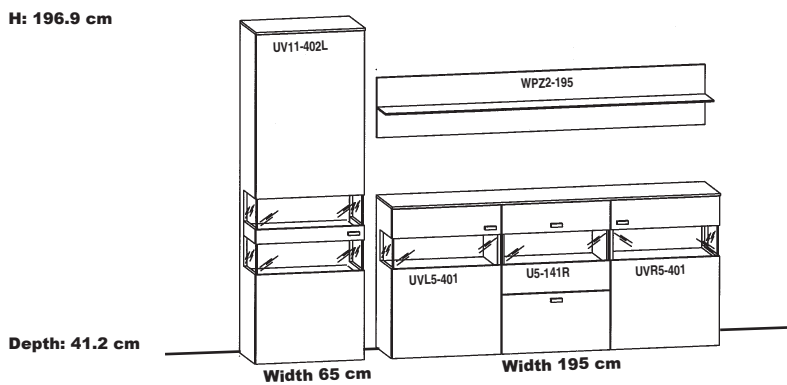


Order no. FE61
 PG 1 €
 PG 2 €

Recommended accessories: each €

Lighting	
7 LED spotlights for display units	LST2
1 transformer, 30 watt	LEVG30
El. storage comp. with remote control	LES65F
General accessories	
1 full-extension runner for sideboard	VZ320
3 veneered display-unit rear panels	RW2-65
4 veneered display-unit rear panels	RW15-65

For article descriptions and information about energy classes, see Accessories on p. 26-27

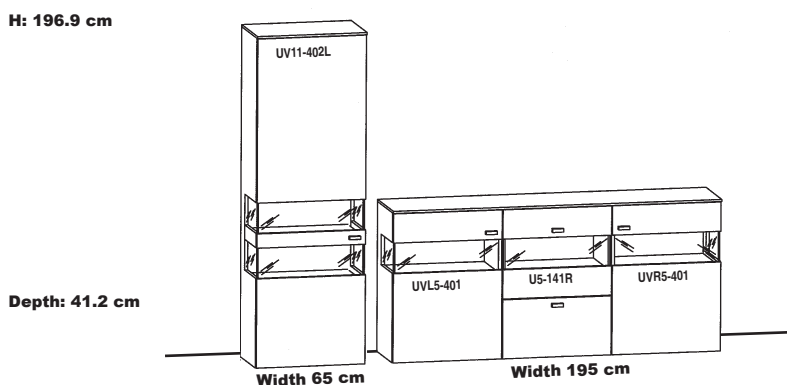


Order no. FE63
 PG 1 €
 PG 2 €

Recommended accessories: each €

Lighting	
5 LED spotlights for display units	LST2
1 transformer, 15 watt	LEVG15
El. storage comp. with remote control	LES65F
General accessories	
1 full-extension runner for sideboard	VZ320
3 veneered display-unit rear panels	RW2-65
2 veneered display-unit rear panels	RW15-65

For article descriptions and information about energy classes, see Accessories on p. 26-27



Order no. FE64
 PG 1 €
 PG 2 €

Recommended accessories: each €

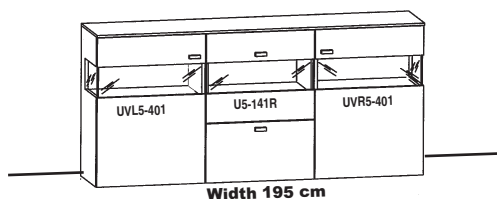
Lighting	
5 LED spotlights for display units	LST2
1 transformer, 15 watt	LEVG15
El. storage comp. with remote control	LES65F
General accessories	
1 full-extension runner for sideboard	VZ320
3 veneered display-unit rear panels	RW2-65
2 veneered display-unit rear panels	RW15-65

For article descriptions and information about energy classes, see Accessories on p. 26-27

Dimensions in cm directly beside the corresponding picture.

H: 91.3 cm

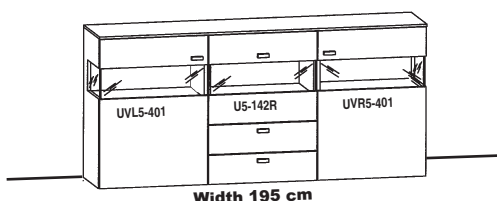
Depth: 41.2 cm



Order no. FE41
PG 1 €
PG 2 €

H: 91.3 cm

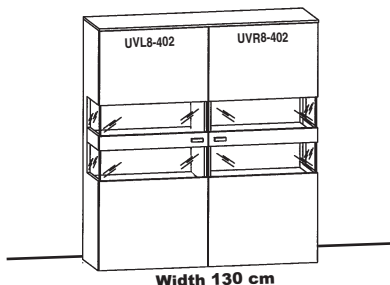
Depth: 41.2 cm



Order no. FE42
PG 1 €
PG 2 €

H: 144.1 cm

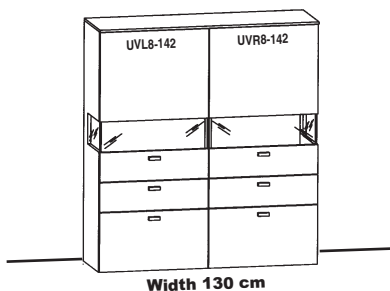
Depth: 41.2 cm



Order no. FE51
PG 1 €
PG 2 €

H: 144.1 cm

Depth: 41.2 cm



Order no. FE52
PG 1 €
PG 2 €

Recommended accessories: each €

Lighting

3 LED spotlights for display units LST2
1 transformer, 15 watt LEVG15
El. storage comp. with remote control LES65F

General accessories

1 full-extension runner for sideboard VZ320
3 veneered display-unit rear panels RW2-65

For article descriptions and information about energy classes, see Accessories on p. 26-27

Recommended accessories: each €

Lighting

3 LED spotlights for display units LST2
1 transformer, 15 watt LEVG15
El. storage comp. with remote control LES65F

General accessories

2 full-extension runners for sideboard VZ320
3 veneered display-unit rear panels RW2-65

For article descriptions and information about energy classes, see Accessories on p. 26-27

Recommended accessories: each €

Lighting

4 LED spotlights for display units LST2
1 transformer, 15 watt LEVG15
El. storage comp. with remote control LES65F

General accessories

4 veneered display-unit rear panels RW15-65

For article descriptions and information about energy classes, see Accessories on p. 26-27

Recommended accessories: each €

Lighting

2 LED spotlights for display units LST2
1 transformer, 15 watt LEVG15
El. storage comp. with remote control LES65F

General accessories

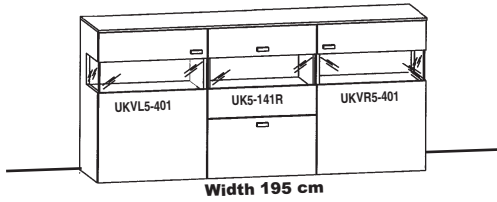
4 full-extension runners for sideboard VZ320
2 veneered display-unit rear panels RW2-65

For article descriptions and information about energy classes, see Accessories on p. 26-27

Dimensions in cm directly beside the corresponding picture.

H: 91.3 cm

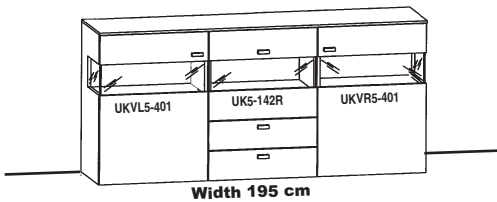
Depth: 49.2 cm



Order no. FE241
 PG 1 €
 PG 2 €

H: 91.3 cm

Depth: 49.2 cm



Order no. FE242
 PG 1 €
 PG 2 €

Recommended accessories: each €

Lighting	
3 LED spotlights for display units	LST2
1 transformer, 15 watt	LEVG15
El. storage comp. with remote control	LES65KF
General accessories	
1 full-extension runner for sideboard	VZ400
3 veneered display-unit rear panels	RW2-65

For article descriptions and information about energy classes, see Accessories on p. 26-27

Recommended accessories: each €

Lighting	
3 LED spotlights for display units	LST2
1 transformer, 15 watt	LEVG15
El. storage comp. with remote control	LES65KF
General accessories	
2 full-extension runners for sideboard	VZ400
3 veneered display-unit rear panels	RW2-65

For article descriptions and information about energy classes, see Accessories on p. 26-27

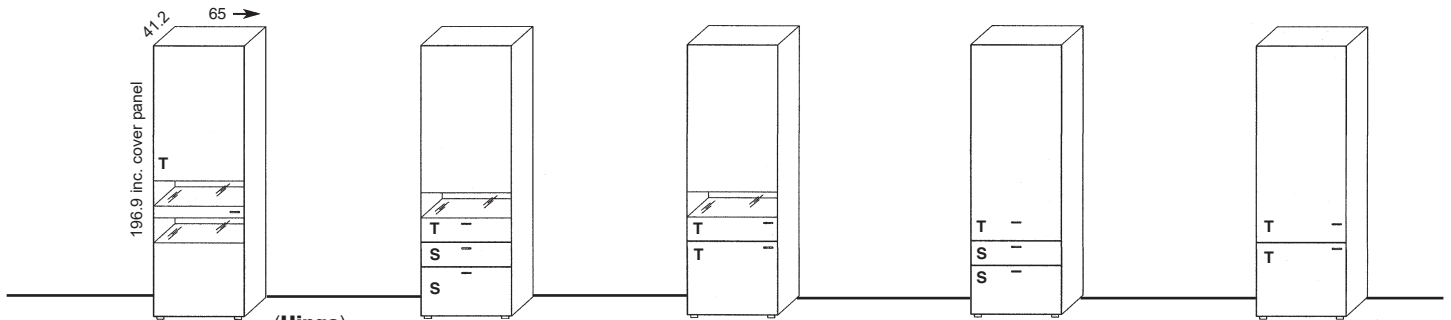
Planning system for individual models

Dimensions in cm directly beside the corresponding picture.

T = Doors S = Drawers

Planning information: All display-unit rear panels are delivered in the carcase colour as standard. For display-unit rear panels in a contrast finish, see Accessories on page 27.

Elements, 11 increments without side glazing



Order no. U11-402L (Hinge) (left)

U11-142L

U11-342L

U11-132L

U11-302L

Order no. U11-402R (right)

U11-142R

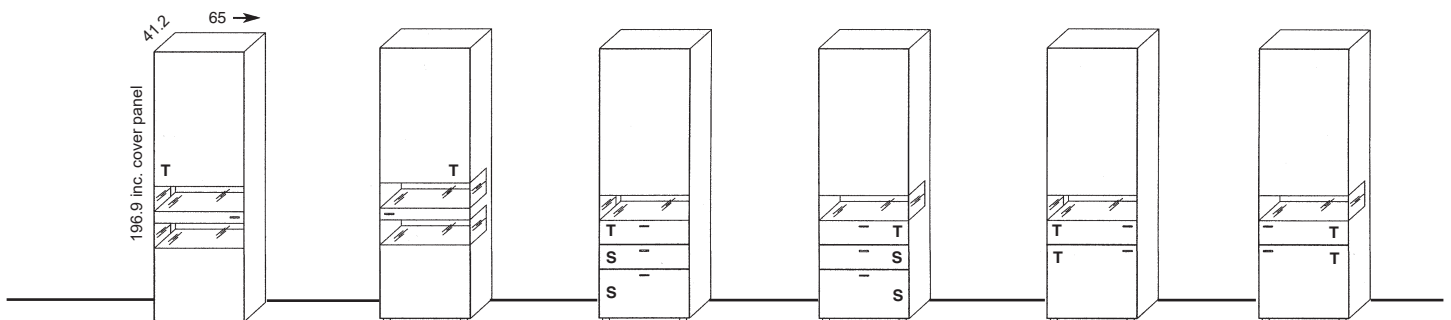
U11-342R

U11-132R

U11-302R

PG 1 €
PG 2 €

Elements, 11 increments with side glazing on one side



Order no. UVL11-402

UVR11-402

UVL11-142

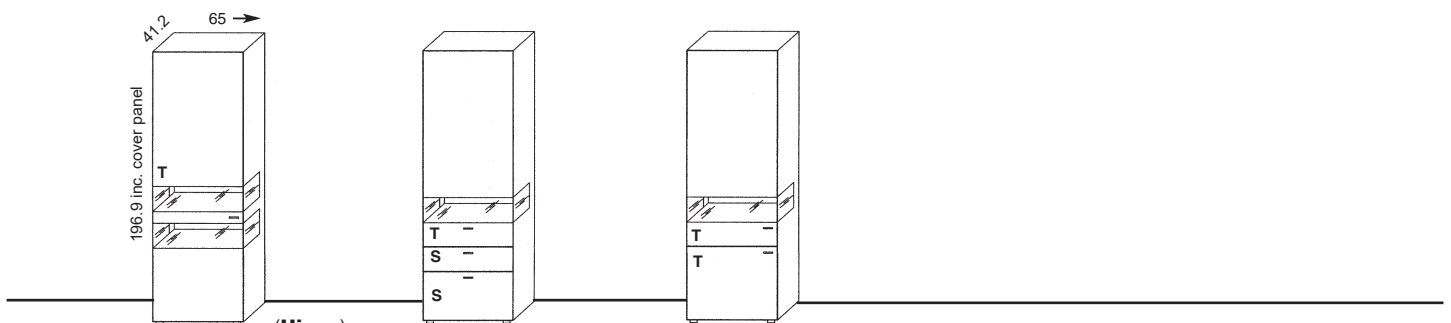
UVR11-142

UVL11-342

UVR11-342

PG 1 €
PG 2 €

Elements, 11 increments with side glazing on both sides



Order no. UV11-402L (Hinge) (left)

UV11-142L

UV11-342L

Order no. UV11-402R (right)

UV11-142R

UV11-342R

PG 1 €
PG 2 €

Planning system for individual models

Dimensions in cm directly beside the corresponding picture.

For lighting and accessories, see pages 26-27

All elements are supplied with a 13-mm-thick cover panel as standard.

The cover panel can be manufactured from single-piece lengths of up to 260 cm, if requested.

Elements, 8 increments without side glazing

Order no. U8-402L Order no. U8-402R PG 1 € PG 2 €	(Hinge) (left) (right)	U8-142L U8-142R	U8-342L U8-342R	U8-132L U8-132R	U8-302L U8-302R
--	------------------------------	----------------------------------	----------------------------------	----------------------------------	----------------------------------

Elements, 8 increments with side glazing on one side

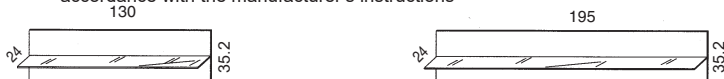
Order no. UVL8-402 PG 1 € PG 2 €	UVR8-402	UVL8-142	UVR8-142	UVL8-342	UVR8-342
---	-----------------	-----------------	-----------------	-----------------	-----------------

Elements, 8 increments with side glazing on both sides

Order no. UV8-402L Order no. UV8-402R PG 1 € PG 2 €	(Hinge) (left) (right)	UV8-142L UV8-142R	UV8-342L UV8-342R
--	------------------------------	------------------------------------	------------------------------------

Wall panels, 2 increments with glass shelf

↓ The load-bearing capacity is 6 kg/linear metre when mounted to solid brickwork in accordance with the manufacturer's instructions



Order no. WPZ2-130 PG 1 € PG 2 €	WPZ2-195
---	-----------------

Planning system for individual models

Dimensions in cm directly beside the corresponding picture.

T = Doors S = Drawers

Planning information: All display-unit rear panels are delivered in the carcass colour as standard. For display-unit rear panels in a contrast finish, see Accessories on page 27.

Elements, 5 increments, 41.2 cm deep without side glazing

Order no. U5-401L (Hinge) (left)
Order no. U5-401R (right)

U5-141L **U5-141R**

U5-142L **U5-142R**

U5-301L **U5-301R**

U5-131L **U5-131R**

PG 1 €
PG 2 €

Elements, 5 increments, 41.2 cm deep without side glazing

Order no. U5-103 **U5-104** **U5-105**

PG 1 €
PG 2 €

Elements, 5 increments, 41.2 cm deep with side glazing on one side

Order no. UVL5-401 **UVR5-401** **UVL5-141** **UVR5-141** **UVL5-142** **UVR5-142**

PG 1 €
PG 2 €

Elements, 5 increments, 41.2 cm deep with side glazing on both sides

Order no. UV5-401L (Hinge) (left)
Order no. UV5-401R (right)

UV5-141L **UV5-141R**

UV5-142L **UV5-142R**

PG 1 €
PG 2 €

Planning system for individual models

Dimensions in cm directly beside the corresponding picture.

For lighting and accessories, see pages 26-27

All elements are supplied with a 13-mm-thick cover panel as standard.

The cover panel can be manufactured from single-piece lengths of up to 260 cm, if requested.

Elements, 5 increments, 49.2 cm deep without side glazing

Order no. UK5-401L PG 1 € PG 2 €	(Hinge) (left)	Order no. UK5-141L PG 1 € PG 2 €	Order no. UK5-142L PG 1 € PG 2 €	Order no. UK5-301L PG 1 € PG 2 €	Order no. UK5-131L PG 1 € PG 2 €
Order no. UK5-401R	(right)	Order no. UK5-141R	Order no. UK5-142R	Order no. UK5-301R	Order no. UK5-131R

Elements, 5 increments, 49.2 cm deep without side glazing

Order no. UK5-103 PG 1 € PG 2 €	Order no. UK5-104 PG 1 € PG 2 €	Order no. UK5-105 PG 1 € PG 2 €
--	--	--

Elements, 5 increments, 49.2 cm deep with side glazing on one side

Order no. UKVL5-401 PG 1 € PG 2 €	Order no. UKVR5-401 PG 1 € PG 2 €	Order no. UKVL5-141 PG 1 € PG 2 €	Order no. UKVR5-141 PG 1 € PG 2 €	Order no. UKVL5-142 PG 1 € PG 2 €	Order no. UKVR5-142 PG 1 € PG 2 €
--	--	--	--	--	--

Elements, 5 increments, 49.2 cm deep with side glazing on both sides

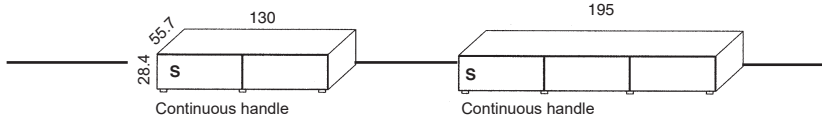
Order no. UKV5-401L PG 1 € PG 2 €	(Hinge) (left)	Order no. UKV5-141L PG 1 € PG 2 €	Order no. UKV5-142L PG 1 € PG 2 €
Order no. UKV5-401R	(right)	Order no. UKV5-141R	Order no. UKV5-142R

Planning system for individual models

Dimensions in cm directly beside the corresponding picture.

The 1.5-increment base elements are supplied with continuous handles to open two or three drawers as standard. If required, it is possible to order individual handles for each drawer (65 cm) at a surcharge.

Base elements, 1.5 increments



Surcharge for individual handles
Per handle

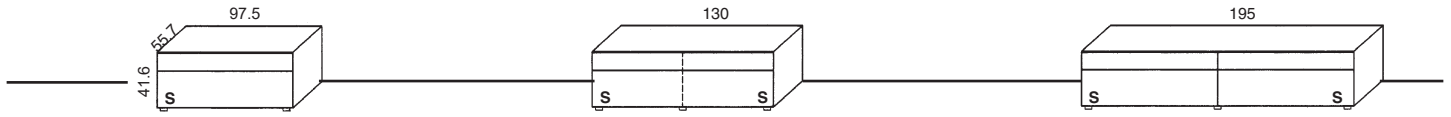
Order no. UTE15-102D
PG 1 €
PG 2 €

Order no. UTE15-103T

Order no. GR646

Base elements, 2.3 increments

One front piece the same width as the carcass, with two 65-cm-wide drawers behind



Order no. UTE23-101M
PG 1 €
PG 2 €

Order no. UTE23-101D

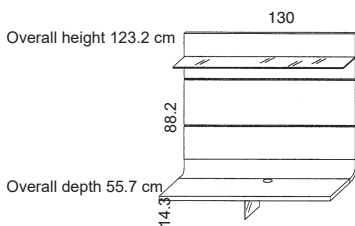
Order no. UTE23-102T

Planning information: Standard cable feed-throughs are not required. As an alternative, individual positions are possible, as long as they are constructively feasible. Additional **DL60** cable feed-throughs are charged at € 21,-.

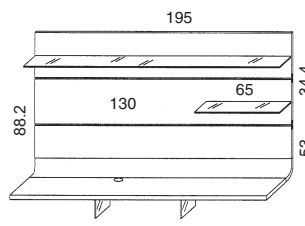
If the device niche height of 14.3 cm is insufficient, taller glass supports measuring 19.3 cm can be ordered. For each support, the applicable surcharge is € 24,-.

○ = Cable feed-through

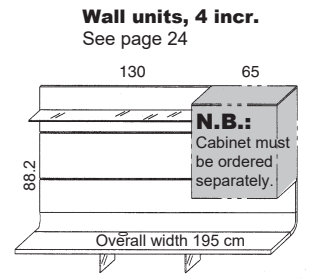
Wall panels, 7 increments



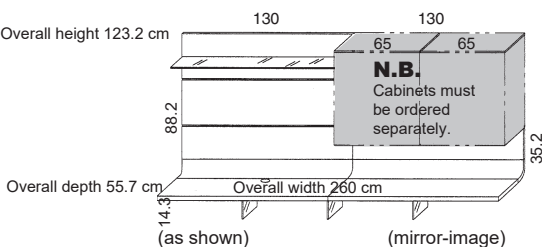
Order no. WP7-1
PG 1 €
PG 2 €



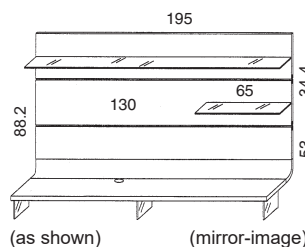
(as shown) **Order no.** WP7-3
(mirror-image) **Order no.** WP7-3SV



(as shown) **Order no.** WP7-4
(mirror-image) **Order no.** WP7-4SV



(as shown) **Order no.** WP7-5
(mirror-image) **Order no.** WP7-5SV
PG 1 €
PG 2 €



(as shown) **Order no.** WP7-8
(mirror-image) **Order no.** WP7-8SV

Planning system for individual models

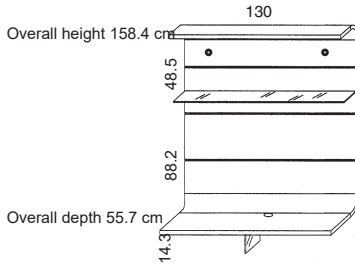
Planning information: If glass shelves are not required for panels, please state this clearly on the order so that this can be taken into consideration when manufacturing the pieces.

Load-bearing capacity of the wall panels 45 kg when mounted to solid brickwork in accordance with the manufacturer's instructions

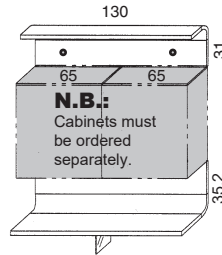
Load-bearing capacity of glass panel shelves 6 kg/linear metre when mounted to solid brickwork in accordance with the manufacturer's instructions

○ = recommended position for LED panel lights **LSP1**
See Accessories on page 26.

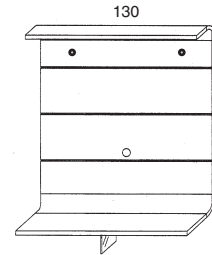
Wall panels, 9 increments



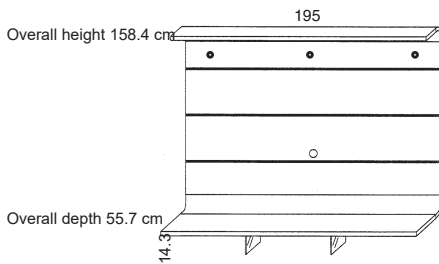
Order no. WP9-1
 PG 1 €
 PG 2 €



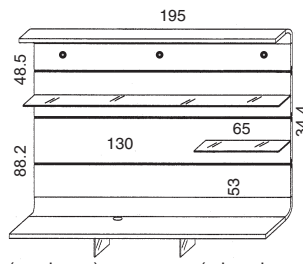
WP9-2



WP9-12

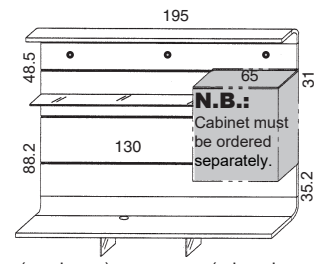


Order no. WP9-4
 PG 1 €
 PG 2 €



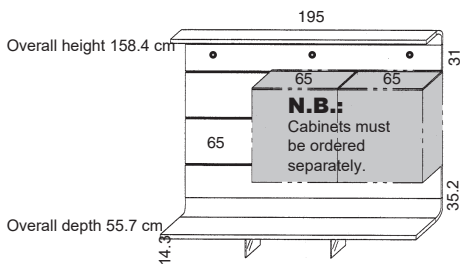
WP9-5

WP9-5SV



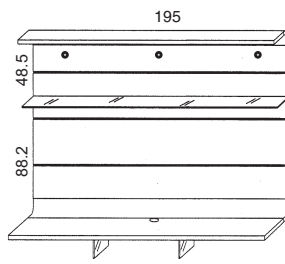
WP9-6

WP9-6SV

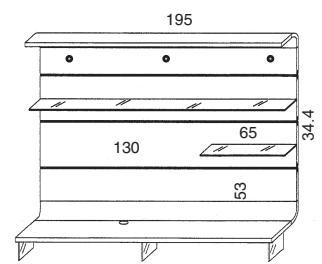


Order no. WP9-7
 PG 1 €
 PG 2 €

WP9-7SV

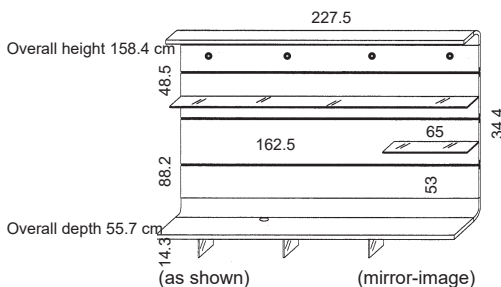


WP9-14



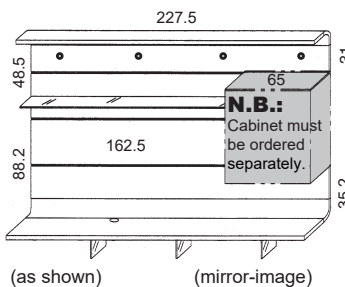
WP9-15

WP9-15SV



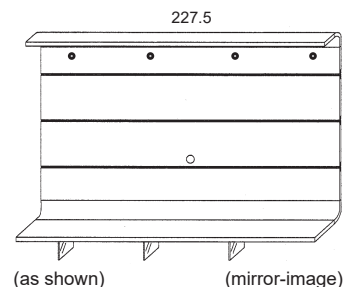
Order no. WP9-9
 PG 1 €
 PG 2 €

WP9-9SV



WP9-10

WP9-10SV



WP9-11

WP9-11SV

Planning system for individual models

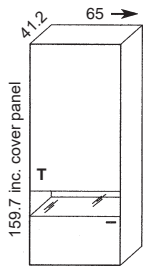
Dimensions in cm directly beside the corresponding picture.

For lighting and accessories, see pages 26-27



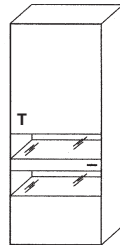
The load-bearing capacity of all wall units is 12 kg per shelf when mounted to solid brickwork in accordance with the manufacturer's instructions.

Wall units, 9 increments without side glazing

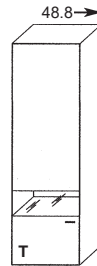


(Hinge)

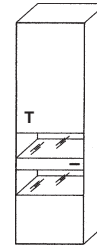
(left)



H9-402L



H9-401KL



H9-402KL

Order no. H9-401L

Order no. H9-401R

PG 1 €

PG 2 €

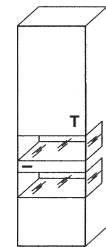
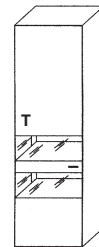
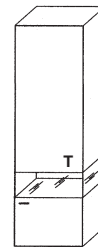
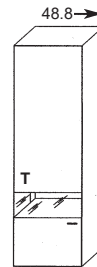
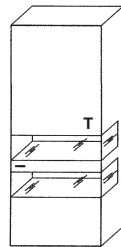
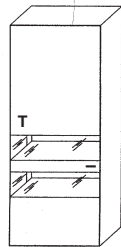
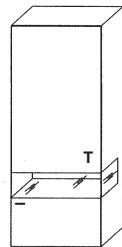
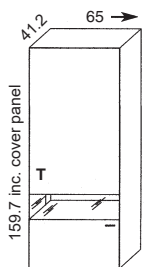
(right)

H9-402R

H9-401KR

H9-402KR

Wall units, 9 increments with side glazing on one side



Order no. HVL9-401

HVR9-401

HVL9-402

HVR9-402

HVL9-401K

HVR9-401K

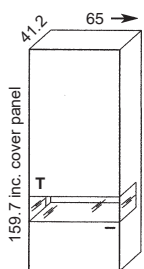
HVL9-402K

HVR9-402K

PG 1 €

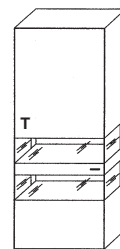
PG 2 €

Wall units, 9 increments with side glazing on both sides

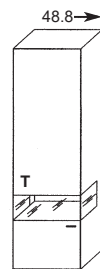


(Hinge)

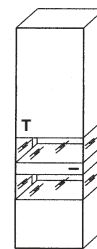
(left)



HV9-402L



HV9-401KL



HV9-402KL

Order no. HV9-401L

Order no. HV9-401R

PG 1 €

PG 2 €

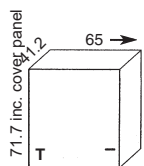
(right)

HV9-402R

HV9-401KR

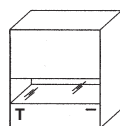
HV9-402KR

Wall units, 4 increments Raster for wall-mounting or for panels



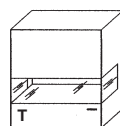
(Hinge)

(left)



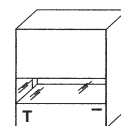
H4-401R

Glass side on both sides



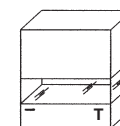
HV4-401L

Glass side on the left



HVL4-401

Glass side on the right



HVR4-401

Order no. H4-301L

Order no. H4-301R

PG 1 €

PG 2 €

(right)

H4-401R

HV4-401R

HVL4-401

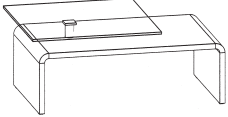
HVR4-401

Coffee tables, dining tables, chairs and benches

For the formal coffee tables, dining tables, chairs and benches that match this model, please see the comprehensive coffee table, dining table, chair and bench collection in the most up-to-date type lists.

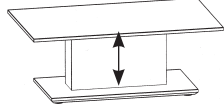
Examples from our broad range of coffee tables

Movable glass panel



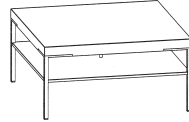
CT406-114D

Fixed and height-adjustable



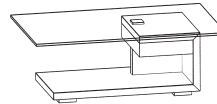
CT...F

Available in three sizes

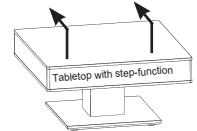


CT501...

Available in four sizes



CT404-110

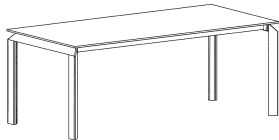


CT303.....

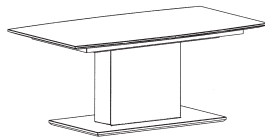
Available in two sizes

Please see the current coffee table type list for more coffee table designs, the available sizes and finishes. This list also contains descriptions and prices for each model.

Examples from our broad range of dining tables



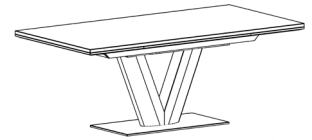
ET521



ET592



ET581



ET632

Please see the current dining table type list for more dining table designs, the available sizes and finishes. This list also contains descriptions and prices for each model.

Examples from our broad range of chairs and benches



Lena



Jule



Kaia



Lina



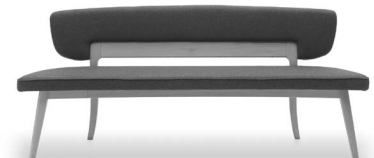
Anna



Alina



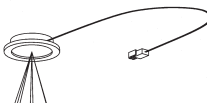
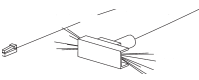



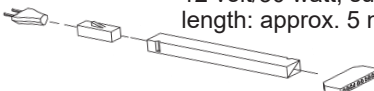
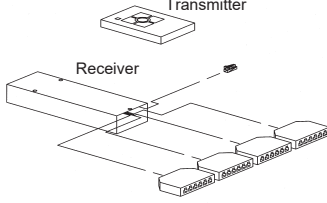
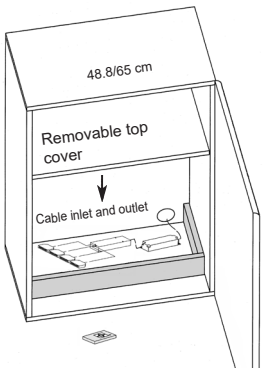
Bern



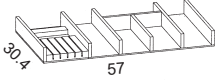
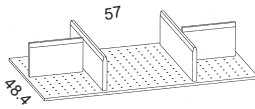
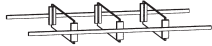
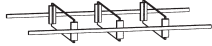
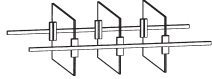
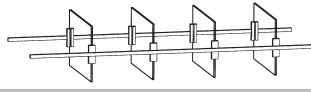
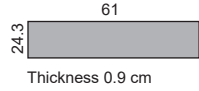
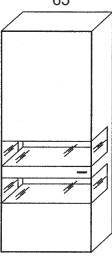
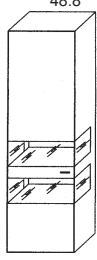
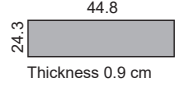


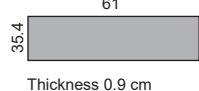
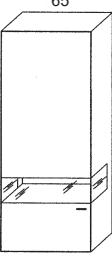
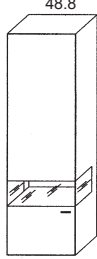
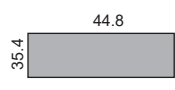
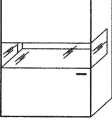
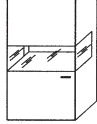
Madrid

Please see the current chair/bench type list for more chair designs, the available sizes and finishes. This list also contains descriptions and prices for each model.

Accessories

Article	Order no.	€	Description
Lighting and switches			
Flush-mounted LED spotlight	LST2		 <p>For display units. 12 volt/2.6 watt, concealed cable duct, length: 4 metres. Only available with LED transformer.</p>
LED light for panels	LSP1		 <p>Cable length: approx. 4 metres. Transformer required. 12 volt/1 watt.</p> <p>These lights are fitted with A++ to A LED bulbs, based on a scale of A++(most efficient) to E (least efficient). The bulbs cannot be replaced.</p>
LED lighting for 130-cm-wide panels	LB114		 <p>1 LED light, length: 114 cm, cable length: approx. 4 metres. Transformer required. 12 volt/3.3 watt.</p> <p>These lights are fitted with A++ to A LED bulbs, based on a scale of A++(most efficient) to E (least efficient). The bulbs can be replaced.</p>
LED lighting for 195-cm- and 227.5-cm-wide panels	LB174		 <p>1 LED light, length: 174 cm, cable length: approx. 4 metres. Transformer required. 12 volt/5.1 watt.</p> <p>These lights are fitted with A++ to A LED bulbs, based on a scale of A++(most efficient) to E (least efficient). The bulbs in these lights cannot be replaced.</p>
LED transformer 15 watt	LEVG15		 <p>12 volt/15 watt, suitable for max. 6 connections. Cable length: approx. 5 metres, switch on the supply cable.</p>
LED transformer 30 watt	LEVG30		 <p>12 volt/30 watt, suitable for max. 10 connections. Cable length: approx. 5 metres, switch on the supply cable.</p>
Radio remote control for LED lighting	FKS4		 <p>A maximum of four power circuits can be switched and dimmed using the remote control. Six light fixtures can be included in each power circuit. Normally, a 15-watt LEVG15 transformer is sufficient, but if the connected light fixtures require more than 15 watt in total, please use the LEVG30 transformer with 30 watt.</p>
Electrical storage compartment with radio remote control Fitted behind	LES65F LES49F LES65KF		 <p>Please specify the element in which the electrical storage compartment should be fitted. The integrated radio remote control has four connections. A maximum of four power circuits can be switched and dimmed. As the top cover is a removable wooden shelf, the full cabinet depth can therefore be used.</p>
Wooden shelves			
Wooden shelf for 65-cm-wide types at depths of 41.2 cm	FA65		Additional wooden shelf behind doors, 61.1 x 33 x 1.9 cm
Wooden shelf for 48.8-cm-wide types at depths of 41.2 cm	FA49		Additional wooden shelf behind doors, 44.9 x 33 x 1.9 cm
Wooden shelf for 65-cm-wide types at depths of 49.2 cm	FAK65		Additional wooden shelf behind doors, 61.1 x 41 x 1.9 cm

Accessories

Article	Order no.	€	Description
Drawers: Special equipment			
Full-extension runner surcharge	VZ320 VZ400 VZ500		For 41.2-cm-deep elements. For 49.2-cm-deep sideboards. For deep base elements.
Cutlery organiser for 65-cm drawers	BE65M		 For 6-piece cutlery set, with knife block. Grey lacquer finish. Width 57 cm, Depth 30.4 cm Not suitable for deep base elements.
Organiser	OET65		 For 65-cm-wide base-element drawers – 48.4 cm x 57 cm. Solid beech finish, grey lacquer - interior compartments are adjustable using pre-drilled holes (with 2 longitudinal and 2 transverse dividers)
Organiser for 65-cm-wide drawers in 41.2-cm-deep elements	E1-65		 The 3 glass transverse dividers are fixed at the front and back, but the distances between the dividers can be adjusted.
Organiser for 65-cm-wide drawers in 49.2-cm-deep elements	EK1-65		 The 3 glass transverse dividers are fixed at the front and back, but the distances between the dividers can be adjusted.
Organiser for 65-cm-wide base-element drawers	ET2-65		 The 3 glass transverse dividers are fixed at the front and back, but the distances between the dividers can be adjusted.
Organiser for 97.5-cm-wide base-element drawers	ET2-98		 The 4 glass transverse dividers are fixed at the front and back, but the distances between the dividers can be adjusted.
Display-unit rear panels in contrast finish			
Display-unit rear panel in contrast finish for 65-cm-wide display units with two glass niches	RW15-65	/Item	 61 24.3 Thickness 0.9 cm  65  48.8
Display-unit rear panel in contrast finish for 48.8-cm-wide display units with two glass niches	RW15-49	/Item	 44.8 24.3 Thickness 0.9 cm  RW15-65  RW15-49
Display-unit rear panel in contrast finish for 65-cm-wide display units with one glass niche	RW2-65	/Item	 61 35.4 Thickness 0.9 cm  65  48.8
Display-unit rear panel in contrast finish for 48.8-cm-wide display units with one glass niche	RW2-49	/Item	 44.8 35.4 Thickness 0.9 cm  RW2-65  RW2-49
Panels			
Panels, all types of wood and lacquers on one side	BL19E	/m ²	19-mm-thick, surface-treated inc. required edges. Counter-veneered on the rear. Veneer direction specified. Max. piece 250/60 cm
Panels, all types of wood and lacquers on both sides	BL19B	/m ²	As above, but with the same finish on both sides. Max. piece 250/60 cm
The surcharge for panels in oak timber or knotty walnut is 50%. The minimum price per panel is €			

A minimum-charge surcharge of € , - will be added to all orders worth up to € , -.

GWINNER[®]